

NEW SERIES

LIGHTLIFT 17.75

PERFORMANCE III S

Hinowa®

HIGH PERFORMANCE
AND COMPACT
TRACKED AERIAL
PLATFORM

www.hinowa.com

DISTINCTIVE FEATURES

- 230 kg capacity for the whole working area
- Wide working diagram: 17 m working height and 7.5 m continuous outreach with flush with the wall trajectory
- Wide range of motorizations available
- Speed and precision of the movements

230 kg
capacity

NEW SERIES



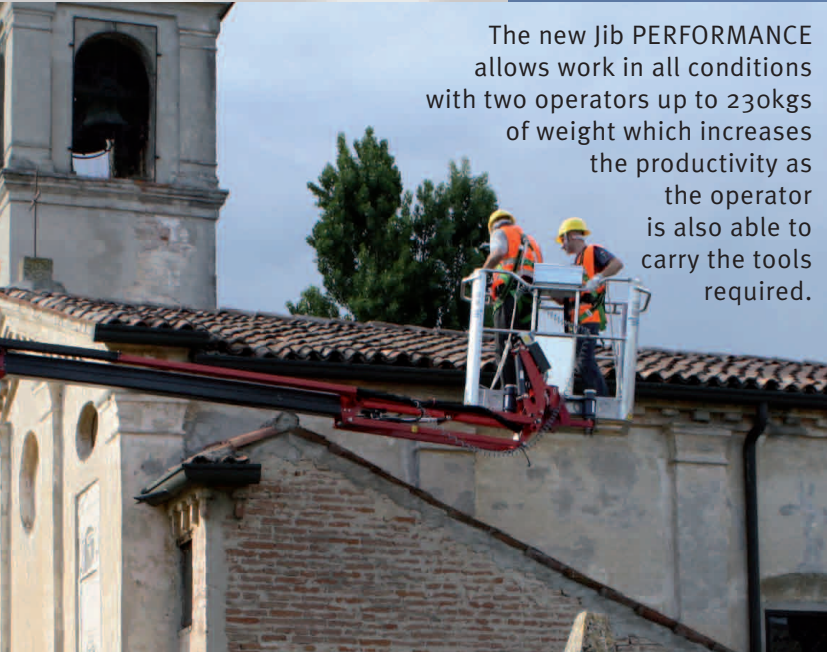
Compact, powerful and highly productive, the Hinowa Lightlift 17.75 PERFORMANCE, thanks to its different available motorisations, is ideal for working at height in various applications such as gardening, construction and maintenance

of buildings, for working internally and externally. As a result of a three year research and development program, this model includes a lot of features that will dictate the global market standards for this type of equipment.

ADVANTAGES/INNOVATIONS

Lightlift 17.75 PERFORMANCE is a compact and functional machine, equipped with the most modern technology and practical use. The articulated structure, made of robust high strength steel, allows extraordinary stability during the use. All the components were carefully selected in order to last a long time and to be used in demanding fields.

The bushings without grease ensure a long life and don't need to be lubricated, saving time and money in the long run.



The new Jib PERFORMANCE allows work in all conditions with two operators up to 230kgs of weight which increases the productivity as the operator is also able to carry the tools required.



LIGHTLIFT 17.75

PERFORMANCE III S



The remote control of the PERFORMANCE III S version includes simple and comfortable controls such as self stabilization, arm movements and translation. A practical display provides the operator with important information. New parameters have been added to the system: the service icon informs the operator when the machine has to be serviced in the future. Thanks to the download icon the operator is always able to download the last version of the available software for the machine through the integrated modem.



Lightlift 17.75 PERFORMANCE a forklift can be used to transport the machine. This system is very useful to move the machine on the construction site and to load and unload.

INTEGRATED GUIDES FOR LIFTING WITH FORKLIFT



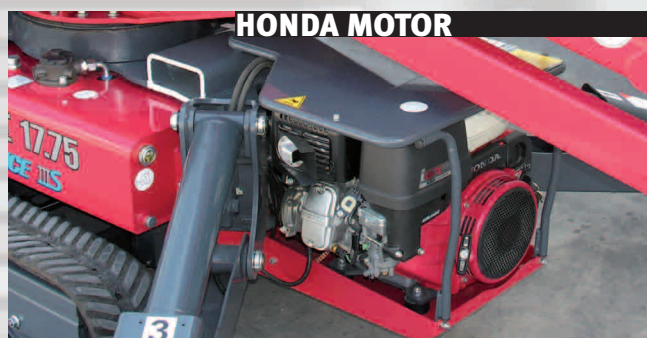
LIGHTLIFT 17.75
PERFORMANCE III S

NEW HEAVY DUTY HOOKS



For handling by crane, once closed, the machine can be moved using ropes fixed on these new and practical hooks for cranes positioned at the end of the outriggers.

HONDA MOTOR



DIESEL MOTOR



LITHIUM-ION MOTOR



AVAILABILITY OF THREE ENGINES

Honda petrol engine

iGX440 + auxiliary 230V motor

Hatz diesel engine

with new "HD Autorev"

technology for automatic acceleration

and deceleration depending

on the movements + auxiliary 230V motor

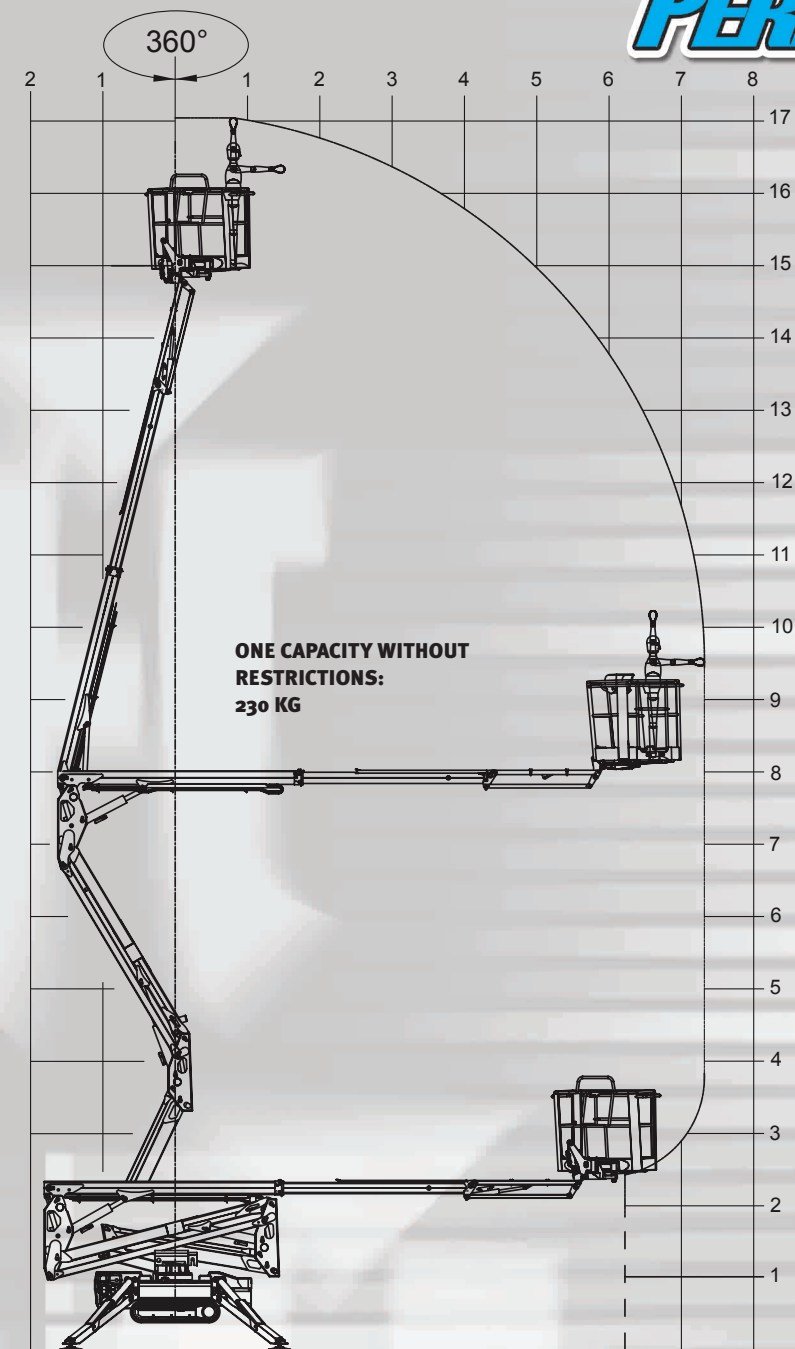
Lithium Battery Pack 48 V - 90 Ah



The innovative Auto2Speed traction system allows the machine to reach an optimal translation speed of 3.6km/h, to move quickly from one place to another on the construction site. Furthermore, thanks to the inclination control, the machine automatically decelerates in extreme conditions to enhance operator's safety.

LIGHTLIFT 17.75

PERFORMANCE III S



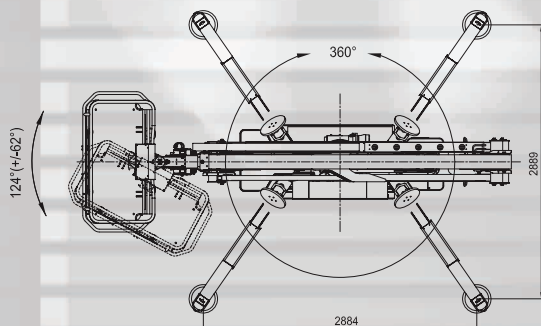
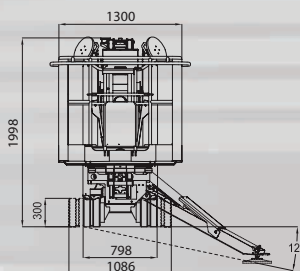
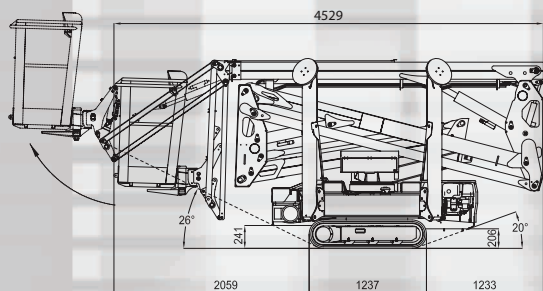
CAPACITY
230 kg

- MAX WORKING HEIGHT** 17,06 m
- MAX HORIZONTAL WORKING OUTREACH** 7,50 m
- TRANSPORT LENGTH** 4,52 m
- TRANSPORT HEIGHT** 2,00 m
- STANDARD CAGE DIMENSIONS** 1335x690xh.1100 mm
- MAX SLOPE ALLOWED IN TRAVEL MODE** 16°/28,7%
- TOTAL OPERATING WEIGHT** 2230 kg / 4916,3 lb
- THERMIC ENGINE AVAILABLE** Honda iGX440-12,7CV 3600rpm
HATZ 1B40-10,2CV 3600rpm
- ELECTRIC MOTOR** 2,2kw-230V-50Hz (110 optional) 1500rpm
- MAX TRAVEL SPEED** I - 1,8 km/h
II - 3,6 km/h - optional
- CLOSED MACHINE WIDTH** 798/1086 mm

LITHIUM **ELECTRIC MOTOR WITH LITHIUM BATTERIES**

OPTIONAL 90Ah / 48V

www.pietropaliosimoncelli.it • D.L.06020514



HINOWA is continually researching and developing products and reserves the right to make modifications without prior notice. All data in this document is indicative. Certain options or country standards will increase weight. Specifications may change to meet country standards or with the addition of optional equipment.



Hinowa[®]

HINOWA SPA

Via Fontana • 37054 NOGARA • Verona • Italy

Tel. +39 0442 539100 • Fax +39 0442 539075

info@hinowa.com

www.hinowa.com