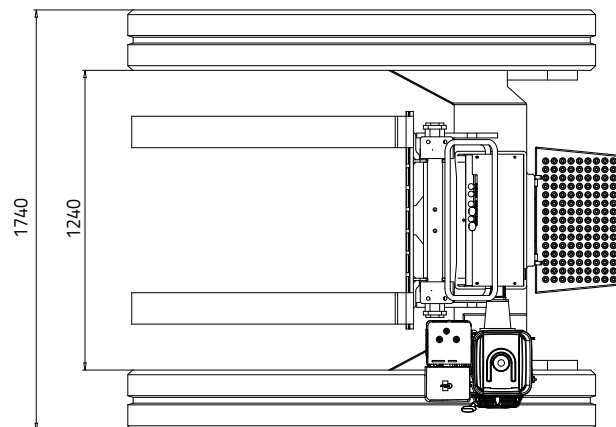
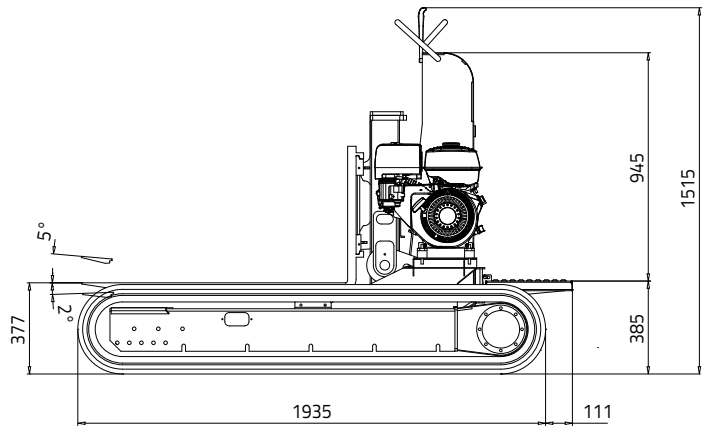
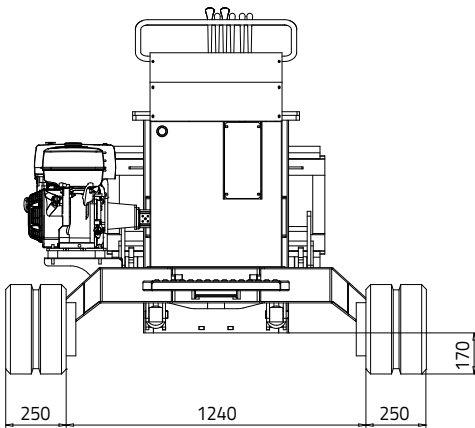
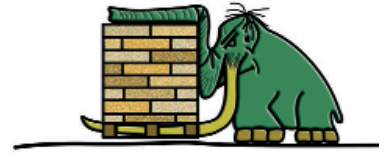




# TRACKED PALLET JACK TP2000





# TRACKED PALLET JACK TP2000

## PETROL ENGINE

Brand .....HONDA  
 Type .....GX390  
 Pistons and displacement .....Single-cylinder 389 cc  
 Max gross power @ rpm .....11,7 HP - 8,7 kW @ 3600 rpm  
 Setting rpm .....3500 rpm  
 Starting .....manual

## DISTRIBUTOR

Type .....mechanical

## HYDRAULIC PUMPS

Number and type ..... n° 3 gear pumps at 4 cc  
 Liters/min capacity ..... 15 lpm

## DRIVE MOTORS

Type .....orbital  
 Displacement .....100 cc

## TRACKS

Track tensioner .....to grease  
 Track width .....250 mm  
 Rollers per side .....5  
 Translation speed.....1,5 - 2,2 km/h  
 Fixed undercarriage .....1740 mm  
 Capacity ..... 2000 kg  
 Max upper slant ..... 20° (36,4%)

**OPERATING WEIGHT (without operator)** .....845 kg

**PETROL FUEL TANK** ..... 6,5 liters