

Hinowa®

Presents

THE NEW ECOLOGICAL, BATTERY-POWERED GOLDLIFT 14.70 TRACKED AERIAL PLATFORM

Features:

- 48 V electric engine with 2000 watt alternate current, supplied by a LITHIUM battery pack
- Battery loader on board allowing the batteries' recharge in case of need
- Lithium batteries weight less than traditional batteries
- No damages of lithium batteries if charged when not completely empty

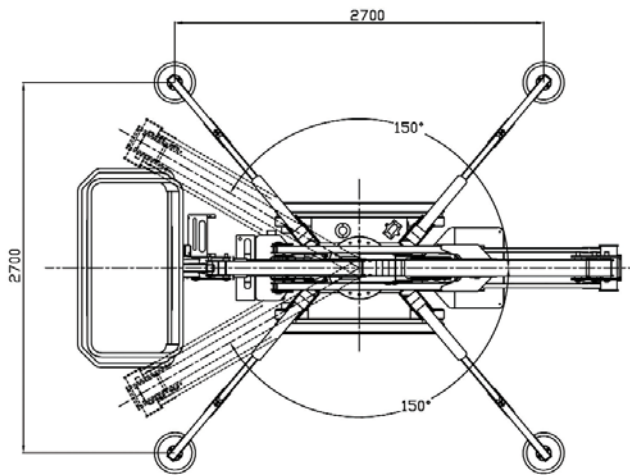
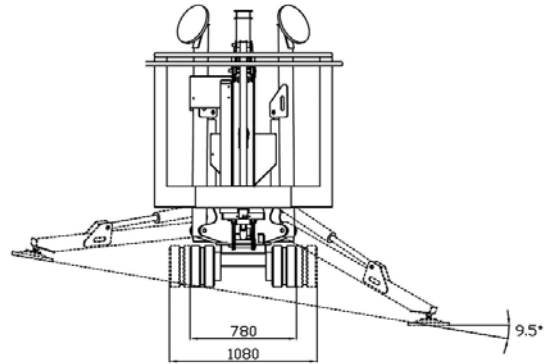
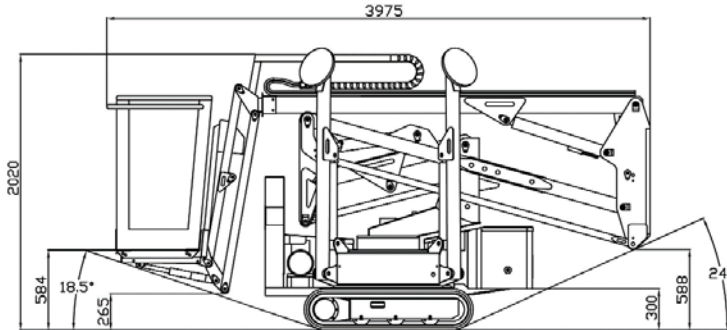
Advantages:

- Machine's acoustic emissions eliminated
- No pollution, important when working indoors
- No inconveniences created by the electrical cable during positioning operations of the aerial platform
- To be used on building sites close to buildings or offices, religion places, libraries, study places, in historic centres or residential areas, in narrow or closed places or places where the electric system does not arrive



TECHNICAL DATA

LITHIUM-ION



Electric engine	2kW/48V
Electric system voltage	48V-12V
Lithium battery pack	48V 90Ah
Endurance with charged batteries (estimated)	4-5 h
Battery loader on board	220V±30V 50÷60Hz
Optional battery loader	110V±30V 50÷60Hz
Recharge time with completely empty batteries (estimated) ..	4 h
Recharge time for 80% with completely empty batteries(estimated).....	2 h
Allowed number of refills	2000 cycles

Capacity	200kg	120kg
Aerial platform height (foot-board)	10,58m	11,94m
Max. working height	12,63m	14,00m
Std. basket dimensions	1330x694 H1100 mm	
Horizontal outreach	5,16m	6,24m
Max. working horizontal outreach	5,61m	7,00m
Rotation (not continuous)	300°	300°
N° operators	2	1
N° operators with optional 1-man cage	1	1
Jib-type articulation	80°(+0°/-80°)	
Max. working inclination	1°/2,2%	
Overall weight in transport configuration (estimated)	1700kg	
Hydraulic oil tank capacity.....	25 liters	
Double pump	2x3,15 cm ³	
Max. pressure in translation mode/stab	175 bar	
Max. pressure aerial part	185 bar	
Max. slope	24°/53%	
Max. wind speed	12,5 m/s	
Max. length	3975 mm	
Width undercarriage	780-1080 mm	
Max. height	2020 mm	
Max. angle of attack	18,5°	
Max. stabilisation angle of attack	10°	
Side base stabilisers	2700 mm	

PATENTED !