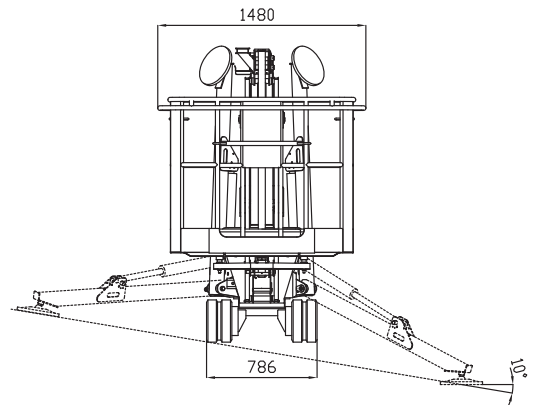
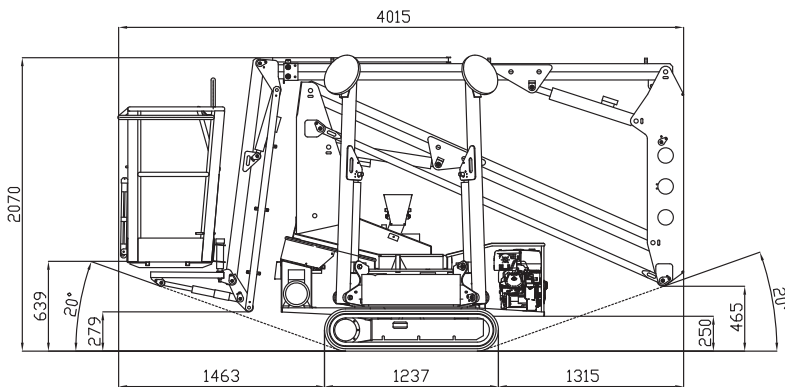
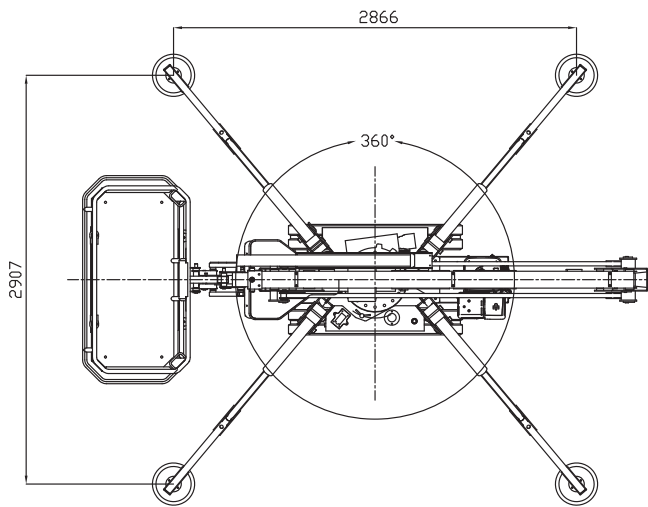
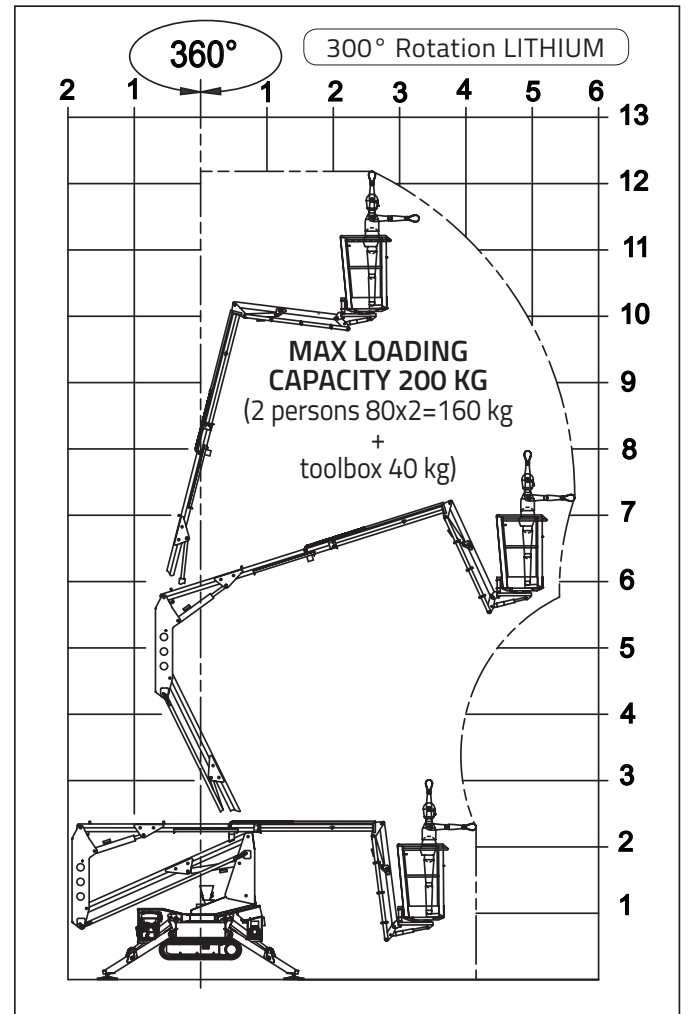
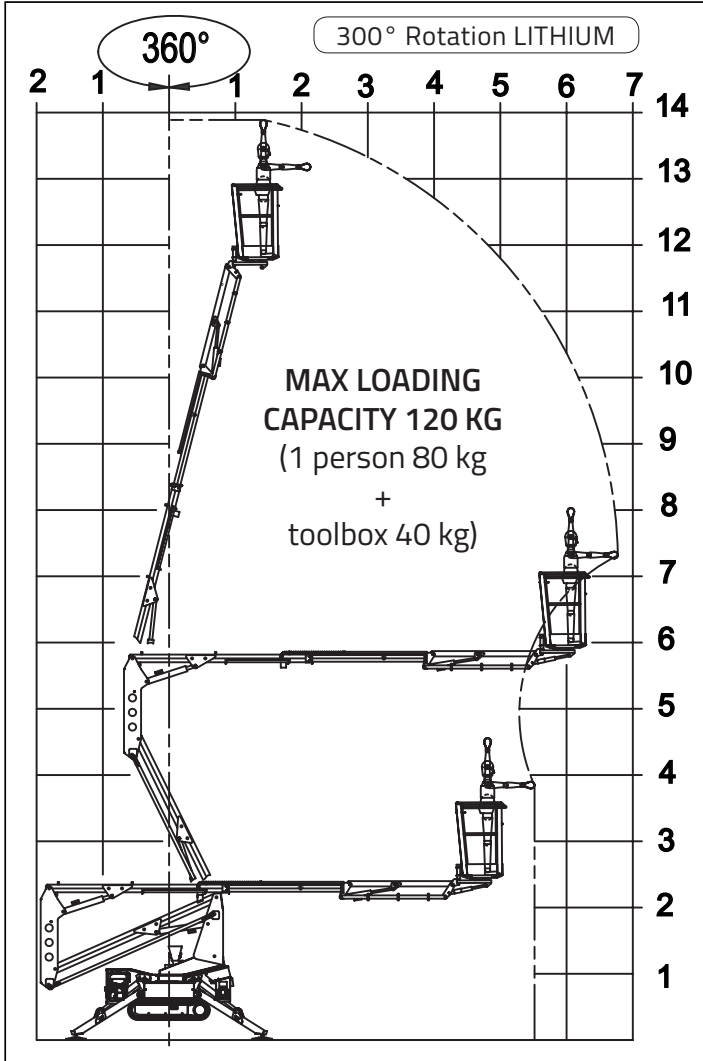


LIGHTLIFT 14.72 TTS



LIGHTLIFT 14.72 III S



LIGHTLIFT 14.72 III S

PETROL ENGINE

Brand..... HONDA
 Type GX270 / GX390
 Pistons no. and displacement single-cylinder 270 cm³ / 389 cm³
 Max gross power 8,4 HP - 6,3 kW / 11,7HP - 8,7 kW @ 3600 rpm
 Electrical start 12 volt

DIESEL ENGINE

Brand HATZ
 Type 1B30 - HD Autorev
 Pistons no. and displacement..... single-cylinder 347 cm³
 Potenza lorda max. 7,3 HP - 5,4 kW @ 3600 rpm
 Electrical start 12 volt

ELECTRIC MOTOR

Standard 230V / 50 Hz - 2,2 kW
 Optional 110V / 50 Hz - 2,2 kW

HYDRAULIC PUMPS

Pump diesel engine no. 2 gear pumps
 Pump electric motor no. 2 gear pumps

TRACKED UNDERCARRIAGE

Track tensioner grease-filled
 Rollers no. per side..... 3 + slide
 Fixed width 786 mm
 Translation speed (Petrol engine)..... 1,3 km/h
 Translation speed with optional 2nd speed (Petrol engine) 1,3 - 2,6 km/h
 Translation speed (Diesel engine)..... 1,5 km/h
 Translation speed with optional 2nd speed (Diesel engine) 1,5 - 3 km/h

WEIGHT MACHINE (Petrol / Diesel engine) 1398 kg
 MAX UPPER SLANT 16° / 28,7%
 MAX WIND SPEED 12,5 m/s

LIGHTLIFT 14.72 III



ELECTRIC SYSTEM - LITHIUM ION

Electric system voltage.....	48V-12V
Lithium battery pack	4,8 kWh
Autonomy (continuous cycle)*	4-5 h
Onboard battery charger	220V 50Hz
Optional battery charger	110V 50Hz
Recharge time on flat batteries	4 h (indicative)
Recharge time to 80% on flat batteries	2 h (indicative)

HYDRAULIC PUMPS

Electric motor	no.2 gear pumps
----------------------	-----------------

TRACKED UNDERCARRIAGE

Track tensioner	grease-filled
Rollers no. per side.....	3 + slide
Fixed width	786 mm
Translation speed	1,1 km/h
Translation speed with standard 2 nd speed	1,1 - 2,1 km/h

WEIGHT MACHINE	1490 kg
MAX UPPER SLANT	16° / 28,7%
MAX WIND SPEED	12,5 m/s

* (Autonomy measured with Hinowa H2 operating cycle)