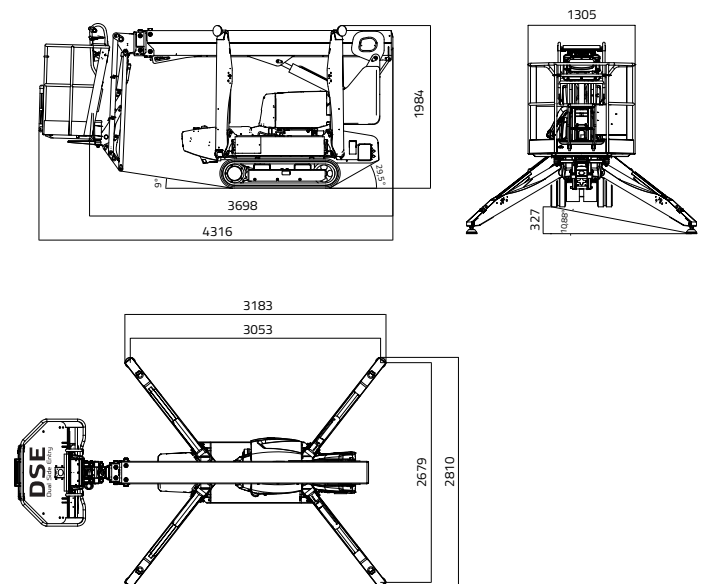


Capacity 230 kg
(2 persons 80x2=160 kg + toolbox 70 kg)



	12,90 m		16°
	6,40 m		2050 kg / 4520 lb
	4,316 m		2679 x 3053 mm
	3,698 m		Automatic set up system IIS std
	1,948 m		Remote control
	748 - 1100 mm		GPRS-GPS
	1480x610xh.1100 mm DSE (Dual Side Entry)		R.A.H.M.

LITHIUM-ION

Battery52V 80Ah

Electric motor :

- rated voltage48 V

- rated power2 kW

Onboard battery charger:

110V-230V+-30V 50-60 Hz