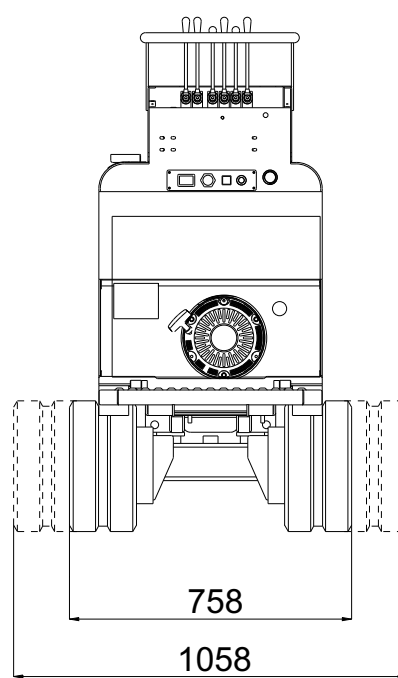
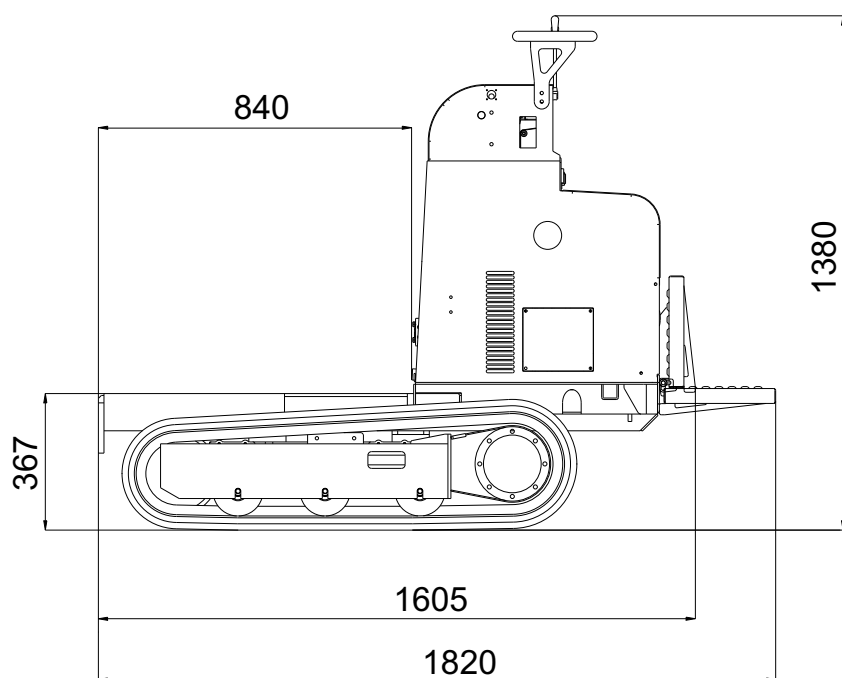


# HS1100



## HS1100

### PETROL ENGINE

Brand and type.....	HONDA GX390
Pistons and displacement.....	single-cylinder 389 cc
Max gross power .....	11,7 HP - 8,7 kW @ 3600 rpm
Starting .....	electric 12 volt
Fuel tank .....	6,1 liters

### DIESEL ENGINE

Brand and type .....	YANMAR L100N
Pistons and displacement.....	single-cylinder 406 cc
Max gross power .....	10 HP - 7,4 kW @ 3600 rpm
Starting .....	electric 12 volt
Fuel tank .....	5,5 liters

### DISTRIBUTOR

Type .....	mechanical
------------	------------

### HYDRAULIC PUMPS

Number and type .....	n° 3 gear pumps
-----------------------	-----------------

### TRACKS

Track tensioner.....	grease
Track width .....	180 mm
Rollers per side.....	3 + slide
Undercarriage width open/close .....	758 - 1058 mm

### PERFORMANCE

Translation speed .....	2,6 - 4,0 km/h
Max. inclination .....	20° (36,4%)
Granted noise level .....	Lwa 101 dB

<b>CAPACITY</b> (including kit ) .....	1100 kg
--	---------

### OPERATING WEIGHT (without operator)

Fixed/widening undercarriage - petrol engine.....	480 kg / 570 kg
Fixed/widening undercarriage - diesel engine.....	510 kg / 600 kg