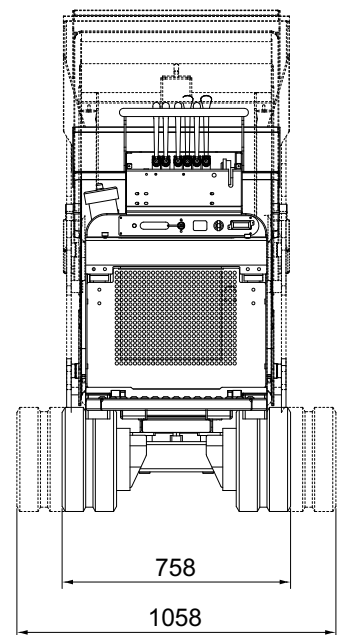
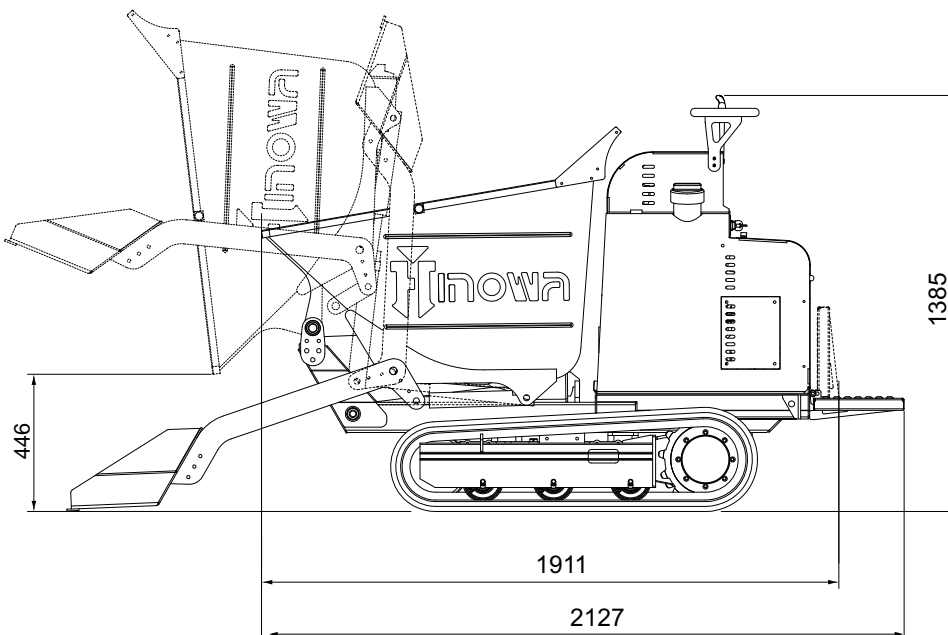


HS1102 SELF-LOADING VERSION



HS1102

SELF-LOADING VERSION

DIESEL ENGINE

Brand and typeKUBOTA Z 602
Pistons and displacementdouble cylinder 599 cc
Max gross power14,5 HP - 10,8 kW @ 3600 rpm
Startingelectric 12 volt
Fuel tank9 liters

DISTRIBUTOR

Type mechanical

HYDRAULIC PUMPS

Number and typen° 3 gear pumps

TRACKS

Track tensioner.....grease
Track width180 mm
Rollers per side.....3 + slide
Undercarriage width open/close758 - 1058 mm

PERFORMANCE

Translation speed2,5 - 4,1 km/h
Max. inclination20° (36,4%)
Granted noise levelLwa 101 dB

CAPACITY700 kg

DUMPER BED CAPACITY

Rated volume (ISO 6483)0,34 m³
Struck volume0,29 m³

OPERATING WEIGHT (without operator)

Fixed/widening undercarriage.....720 kg / 800 kg