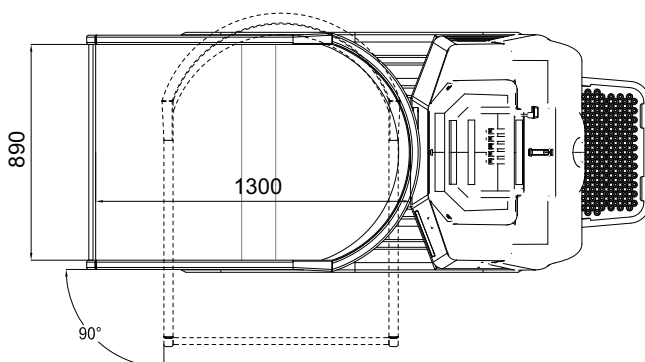
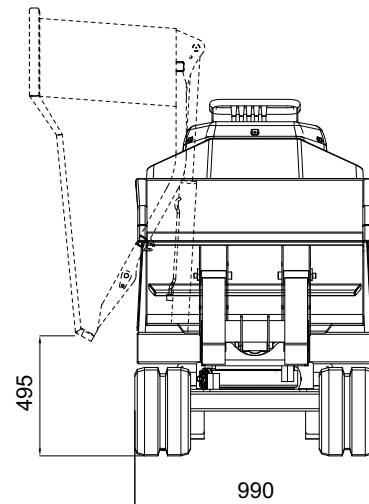
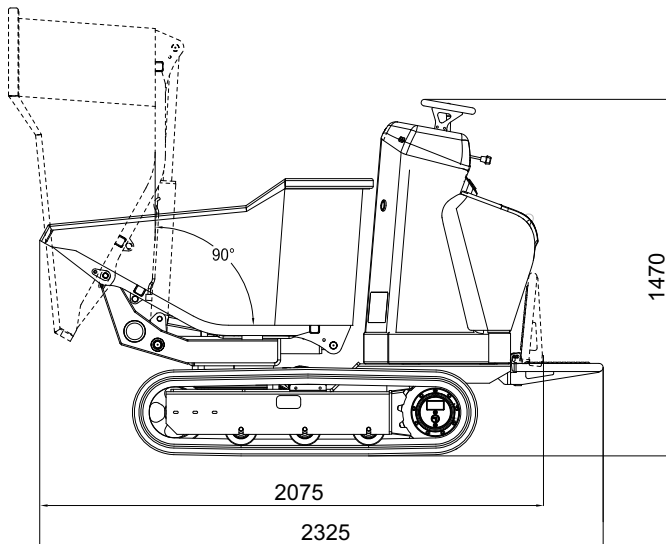


HS1103 WITH SLEWING BUCKET 180° (+/- 90°)



HS1103

WITH SLEWING BUCKET 180° (+/- 90°)

DIESEL ENGINE

Brand and type	KUBOTA D 722
Pistons and displacement	n° 3 da 719 cc
Max gross power	20 HP - 14,9 kW @ 3600 rpm
Starting	electric 12 volt
Fuel tank	20 liters

DISTRIBUTOR

Type	mechanical
------------	------------

HYDRAULIC PUMPS

Number and type	n° 2 piston pumps
-----------------------	-------------------

TRACKS

Track tensioner	grease
Track width	230 mm
Rollers per side	3 + slide
Fixed undercarriage	990 mm

PERFORMANCE

Translation speed	2,6 - 5,0 km/h
Max. inclination	20° (36,4%)
Granted noise level	Lwa 101 dB

CAPACITY	1000 kg
-----------------------	---------

DUMPER BED CAPACITY

Rated volume (ISO 6483)	0,52 m ³
Struck volume	0,44 m ³

OPERATING WEIGHT (without operator).....	970 kg
---	--------