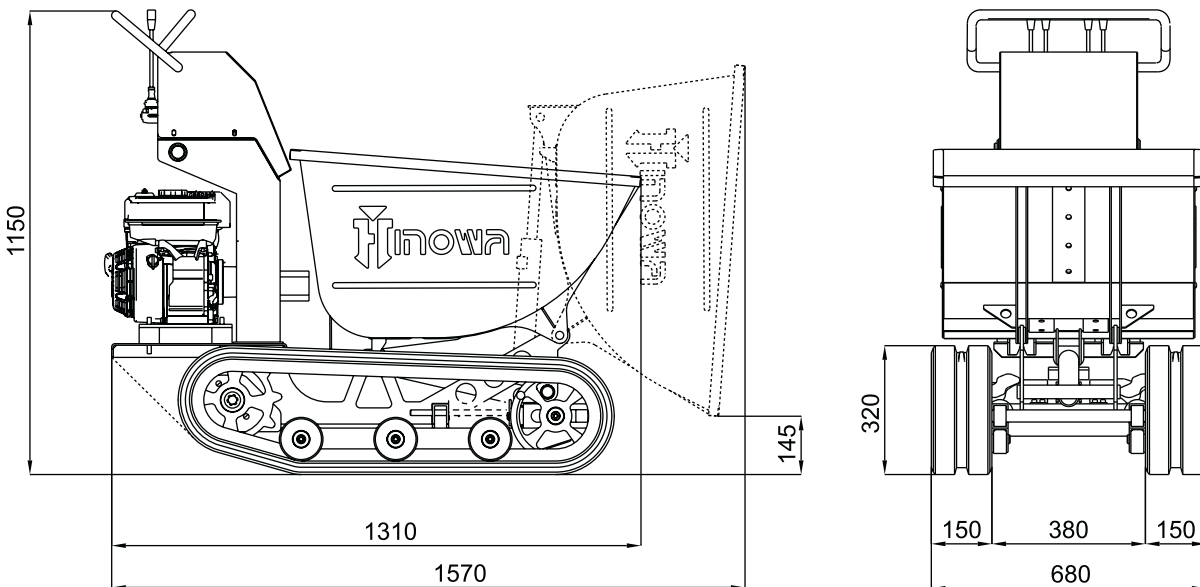


# HS400 CONSTRUCTION VERSION



# HS400

## CONSTRUCTION VERSION

### PETROL ENGINE

Brand and type.....HONDA GX200  
Pistons and displacement .....single-cylinder 196 cc  
Max gross power .....5,5 HP - 4,1 kW @ 3600 rpm  
Starting .....manual  
Fuel tank .....3,1 liters

### DISTRIBUTOR

Type ..... mechanical

### HYDRAULIC PUMPS

Number and type .....n° 2 gear pumps

### TRACKS

Track tensioner .....spring  
Track width .....150 mm  
Rollers per side.....3  
Fixed undercarriage.....680 mm

### PERFORMANCE

Translation speed .....1,7 km/h  
Max. inclination .....25° (46,6%)  
Granted noise level .....Lwa 101 dB

**CAPACITY** ..... 400 kg

### DUMPER BED CAPACITY

Rated volume (ISO 6483) .....0,20 m<sup>3</sup>  
Struck volume .....0,16 m<sup>3</sup>

**OPERATING WEIGHT** (without operator).....255 kg