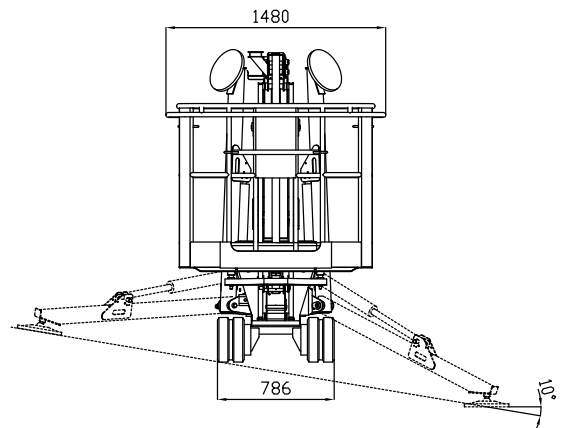
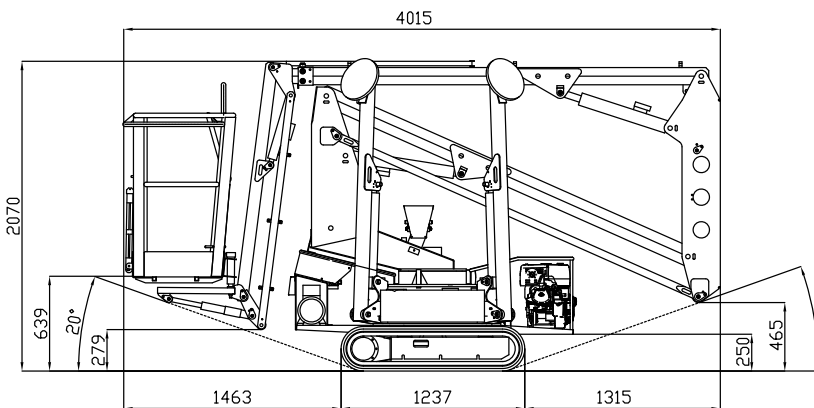
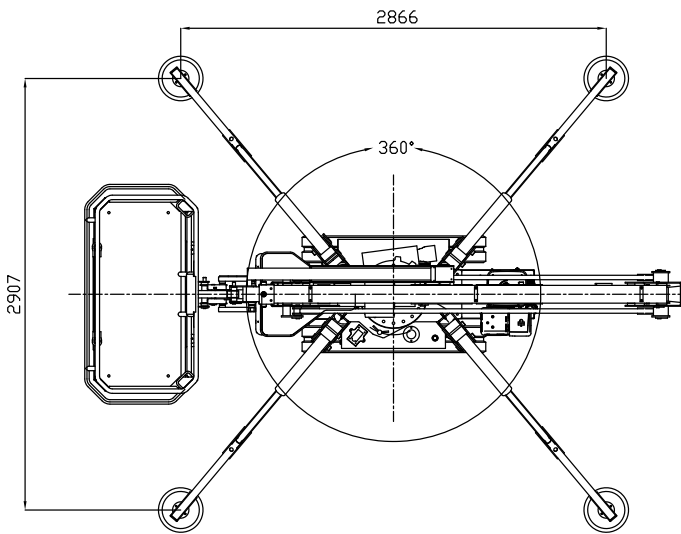


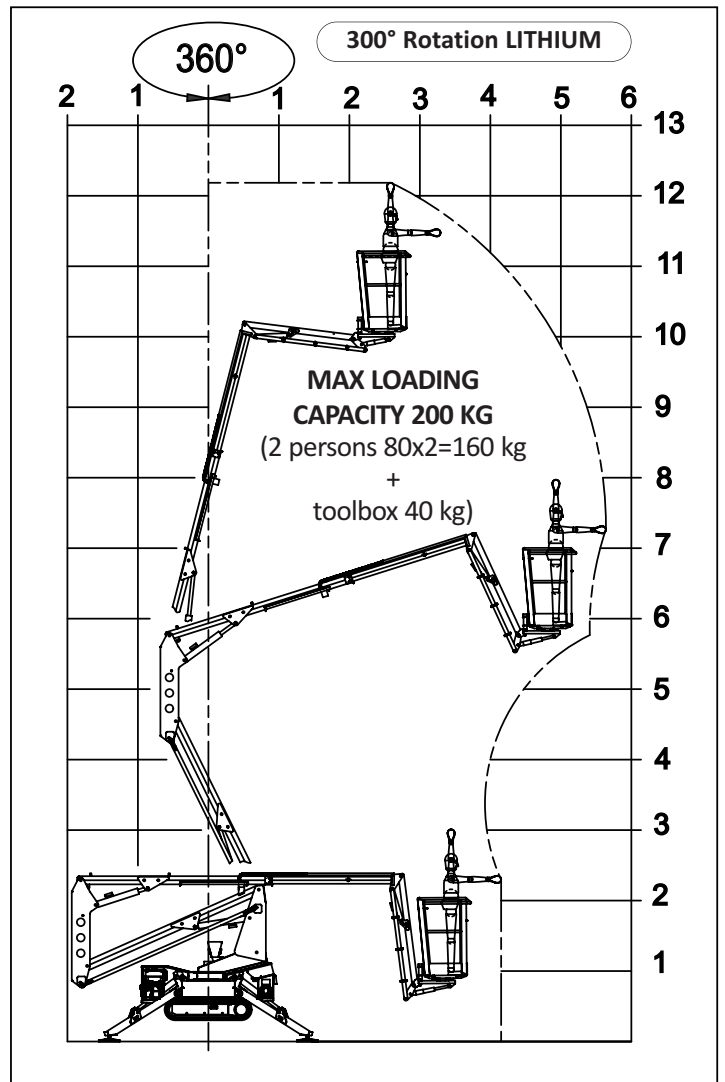
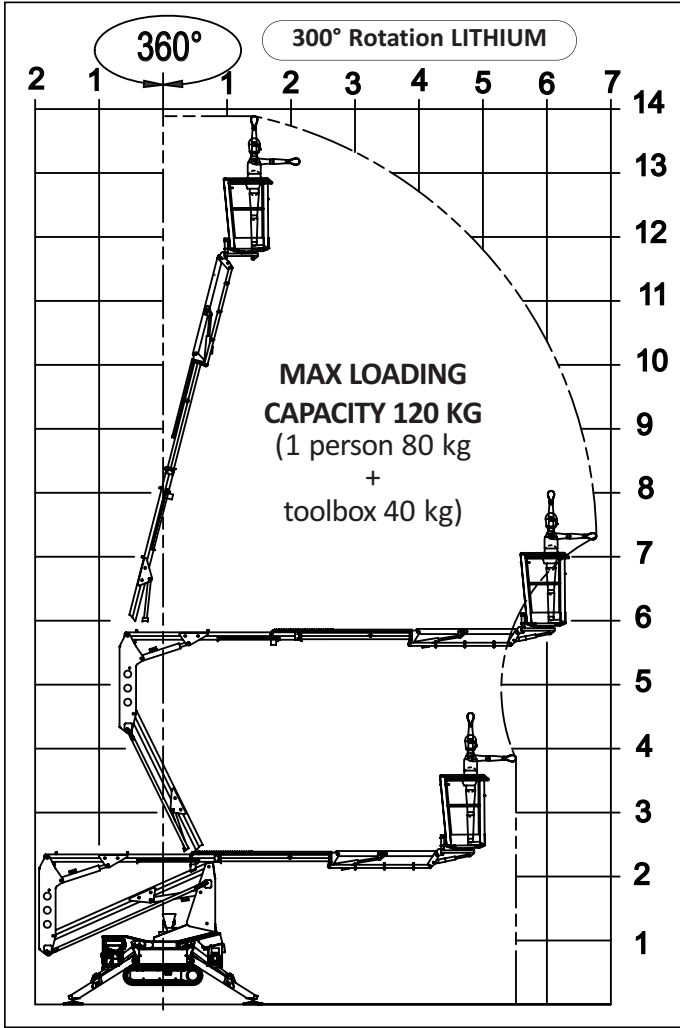
TRACKED AERIAL PLATFORMS



LIGHTLIFT 14.72 TTS



LIGHTLIFT 14.72 **III**



TRACKED AERIAL PLATFORMS



LIGHTLIFT 14.72 **III**S

PETROL ENGINE

Brand.....HONDA
TypeGX270 cc / GX390 cc
Pistons no. and displacementsingle-cylinder 270 cc / 389 cc
Max gross power..... 8,4 HP - 6,3 Kw / 11,7HP - 8,7 Kw @ 3600 rpm
Electrical start 12 volt

DIESEL ENGINE

BrandHATZ
Type.....1B30 - HD Autorev
Pistons no. and displacement.....single-cylinder, 347 cc
Max gross power 7,3 HP - 5,4Kw @ 3600 rpm
Electrical start 12 volt

ELECTRIC MOTOR

Standard230V / 50 Hz - 2,2 Kw
Optional 110V / 50 Hz - 2,2 Kw

HYDRAULIC PUMPS

Pump diesel engineno. 2 gear pumps
Pump electric motorno. 2 gear pumps

TRACKED UNDERCARRIAGE

Track tensionergrease-filled
Rollers no. per side3 + slide
Fixed width 786 mm
Translation speed 1,5 km/h
Translation speed (with optional high speed) 1,5 / 3 km/h

WEIGHT MACHINE 1398 kg
MAX UPPER SLANT 16° / 28,7%
MAX WIND SPEED 12,5 m/s

LIGHTLIFT 14.72 *MS* LITHIUM *ION*

ELECTRIC SYSTEM

Electric system voltage.....	48V-12V
Lithium battery pack.....	4,8 kWh
Autonomy (continuous cycle)*	4-5 h
Onboard battery charger	220V 50Hz
Optional battery charger	110V 50Hz
Recharge time on flat batteries.....	4 h (indicative)
Recharge time to 80% on flat batteries.....	2 h (indicative)

HYDRAULIC PUMPS

Electric motor	no.2 gear pumps
----------------------	-----------------

TRACKED UNDERCARRIAGE

Track tensioner	grease-filled
Rollers no. per side.....	3 + slide
Fixed width	786 mm
Translation speed	1,1 km/h
Second translation speed (optional)	1,1 / 2,1 km/h

WEIGHT MACHINE	1490 kg
MAX UPPER SLANT	16° / 28,7%
MAX WIND SPEED	12,5 m/s

* (Autonomy measured with Hinowa H2 operating cycle)